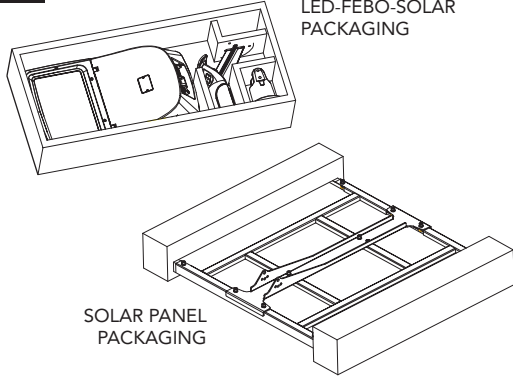
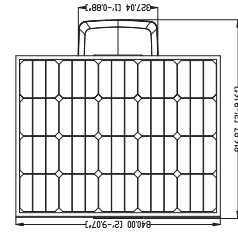
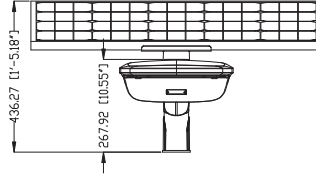
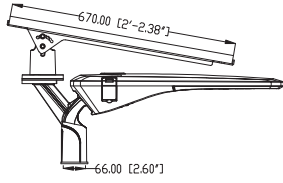




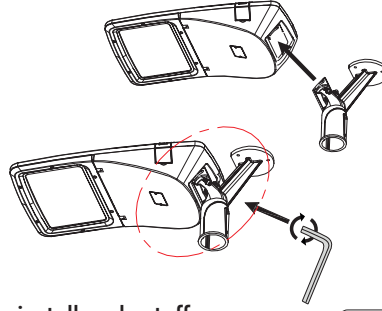
DOWNLOAD CATALOG



LED-FEBO-SOLAR  
PACKAGING

SOLAR PANEL  
PACKAGING

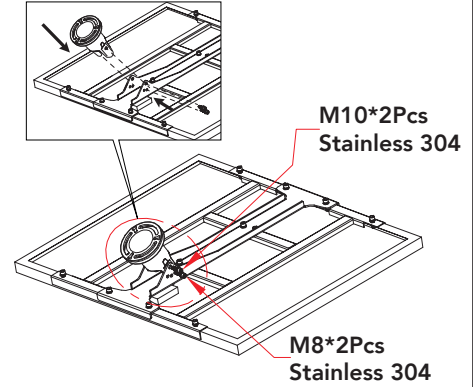
1



installare la staffa per  
fissaggio su palo  
install street light bracket



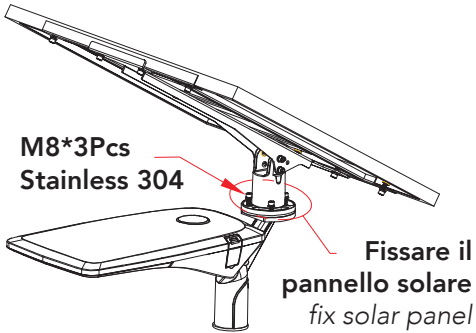
2



M10\*2Pcs  
Stainless 304

M8\*2Pcs  
Stainless 304

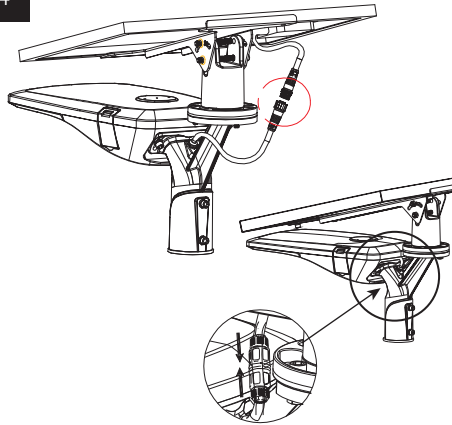
3



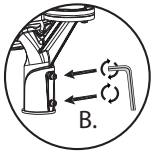
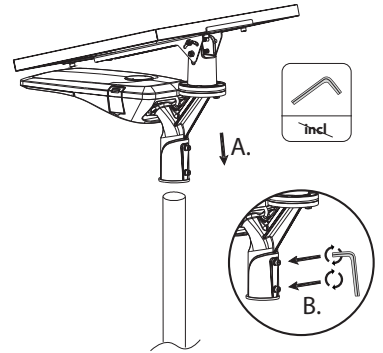
M8\*3Pcs  
Stainless 304

Fissare il  
pannello solare  
fix solar panel

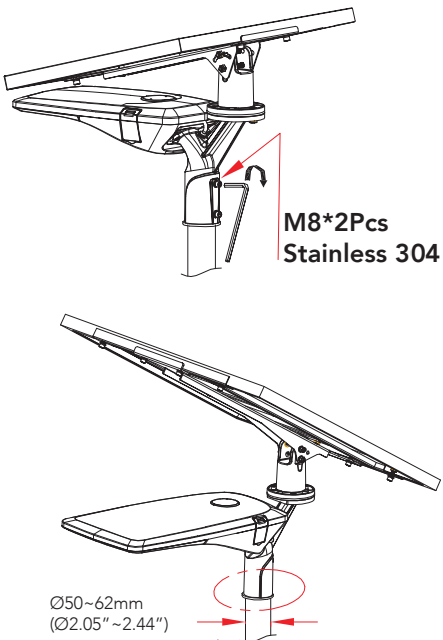
4



5



6



M8\*2Pcs  
Stainless 304

Ø50-62mm  
(Ø2.05\"/>

