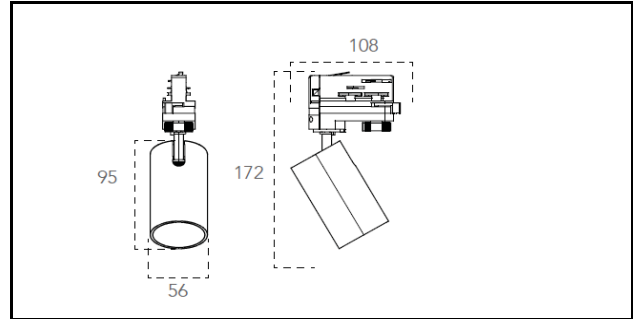




code	Watt/max	Volt	Energy class
8031414883226	in base lampadina	230V	in base lampadina


I-SQUIB-BCO

Materiale <i>Material</i>	alluminio aluminum
Colore <i>Colour</i>	Bianco White
Sorgente luminosa <i>Light source</i>	1XGU10 MAX 25W

classe energetica <i>energy class</i>	in base lampadina
Classe isolamento <i>Insulation class</i>	1
Grado IP	\
Grado IK	\

color	in base lampadina
--------------	-------------------

accessori inclusi <i>included accessories</i>	Lampadina non inclusa Light bulb not included
---	--

watt	in base lampadina
-------------	-------------------

CRI	in base lampadina
------------	-------------------

Codice ean <i>Ean Code</i>	8031414883226
--------------------------------------	---------------

Tipo di packaging <i>Packaging info</i>	color box
---	-----------

altezza <i>height</i>	\
---------------------------------	---

Altezza inner-box <i>Height inner-box</i>	\
---	---

larghezza <i>width</i>	\
----------------------------------	---

Larghezza inner-box <i>Width inner-box</i>	\
--	---

profondità <i>depth</i>	\
-----------------------------------	---

Profondità inner-box <i>Depth inner-box</i>	\
---	---

BEAM ANGLE	in base lampadina
-------------------	-------------------

Peso inner-box <i>Weight inner-box</i>	\
--	---

KELVIN	in base lampadina
---------------	-------------------

Pezzi nell'inner-box <i>Pcs in inner-box</i>	\
--	---

LUMEN	in base lampadina
--------------	-------------------

informazioni <i>Master-box</i>	H MASTER-BOX (cm)	\
	LARGHEZZA MASTER-BOX (cm)	\
	Pr. MASTER-BOX (cm)	\
	Master-box <i>info</i>	PESO MASTER-BOX
	SINGLE BOX IN MASTER	\

colori disponibili <i>available colors</i>	Bianco - Nero White - Black
--	--------------------------------